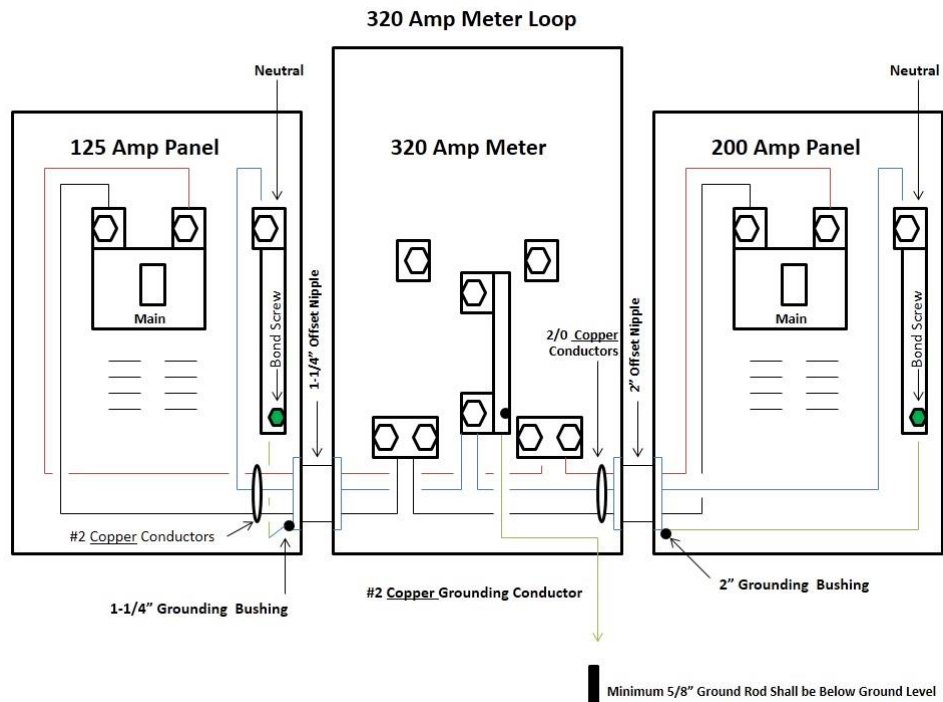
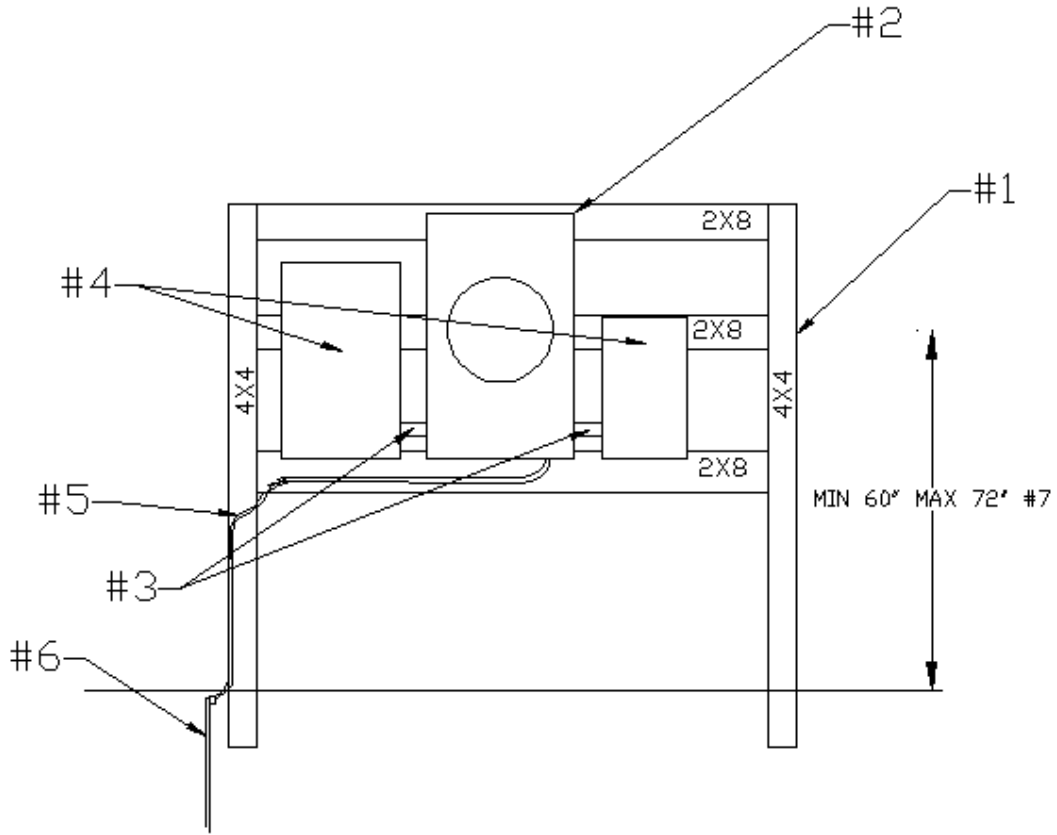


San Patricio Electric Cooperative – (361) 364-2220
320 AMP Service -Underground Meter Loop – Self Supporting

320AMP UNDERGROUND



San Patricio Electric Cooperative – (361) 364-2220
320 AMP Service -Underground Meter Loop – Self Supporting

1. Build rack to accommodate Meter can and Panel(s).
2. 320 amp Meter Can
3. PVC TA's (Treaded Adapters) with lock rings and plastic bushing from Meter enclosure to panel. If threaded galvanized nipple is used, there must be a bonding bushing installed on the panel side with the ground wire passing through the lug. Chase must be same diameter as riser conduit above meter can. Length must be a minimum of 4" but not more than 6". Lock rings and plastic bushing are required on all nipples and adapters.
4. **Maximum 325 amps on Breaker Panel / Disconnect combination allowed on Service. Main Breaker(s) size cannot exceed amp rating of service.**
5. Ground Wire #6 green stranded/solid up to 150 amp, #4 green up to 225 amp, #2 green up to 320 amp. Ground wire starts in meter enclosure and passes out to ground rod. From the panel the wire must be in PVC conduit
6. 5/8" x 8' Cooper Weld Ground Rod & Clamp shall be fully driven into earth with the top of the rod just below the surface of the ground.
7. Center of Meter must fall between 48" to 72"
 - A. SERVICE CONDUCTOR FEEDERS are connected to the TOPSIDE lugs in the meter can. LOAD SIDE CONDUCTORS to the breaker box are connected to the BOTTOM lugs in the meter can.
 - B. Wire should be sized according to load. See chart on back.
 - C. Conduit should be sized according to wire size. See chart on back.

CONSTRUCTION of a 3 WIRE METER LOOP

METER LOOPS MUST BE COMPLETELY ASSEMBLED BY THE MEMBER OR BY AN ELECTRICIAN IN ORDER TO BE CONNECTED. Co-op employees will not help in the assembling of a meter loop on the job site. The Coop shall determine the acceptability of the meter loop before the connection is made.

Meter Can must be mounted a MINIMUM of 48" from the ground up and a MAXIMUM of 72" from the ground up. This applies to House & Meter Pole installation.

Meter and main disconnect must be located on the outside area of any structure. Disconnect must be located directly beside the meter can. Disconnect must be breakers or fuses.

BLADED DISCONNECT SWITCHES ARE NOT ALLOWED.

Reduced neutral not allowed.

Meter loop must be wired with copper wire from the load side of the meter can to the breaker box.

***ALLOWABLE AMPERAGE OF AN INSULATED CONDUCTOR**

Taken from National Electric Code Manual Table 310-15B

THHN copper wire maximum temp. 90° centigrade, 600 Volt insulation minimum.

WIRE SIZE			**CONDUIT SIZE
#2 Cu.	125 amps	Per Wire	1 ¼"
1/0 Cu.	150 amps	Per Wire	1 ½"
2/0 Cu.	200 amps	Per Wire	2"
3/0 Cu.	225 amps	Per Wire	2"
4/0 Cu.	260 amps	Per Wire	2"
350 mcm	320 amps	Per Wire	2 ½" - 3"

San Patricio Electric Cooperative – (361) 364-2220
320 AMP Service -Underground Meter Loop – Self Supporting

Consumers may dig their own trench. Charges are still involved. San Patricio Electric Co-op. **MUST** be contacted **BEFORE** work is done. Call for information on prices, specifications, contractor insurance requirements, scheduling, etc.

Caution must be taken in selecting the service entrance location to the meter. Dig Tess (800) 344-8377 should be notified 2 days prior to digging trench. Service wires are buried in conduit, sharp turns and angles can not be made.

San Patricio Electric has an electrician that builds meter loops.
For price quotes call the Cooperative at 361-364-2220

